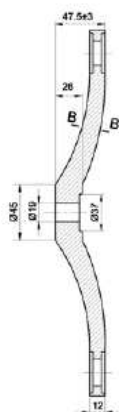
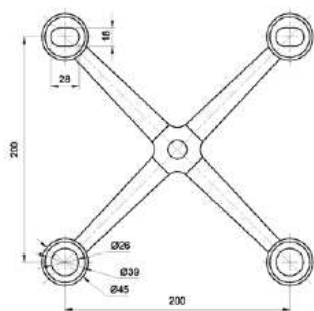
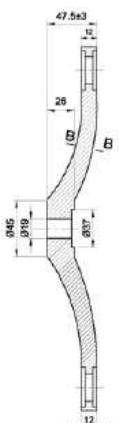
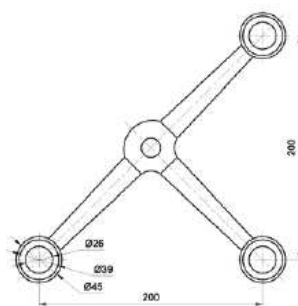


ARC DESIGN

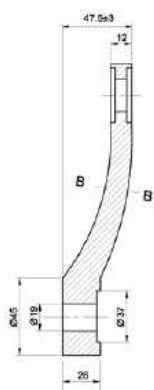
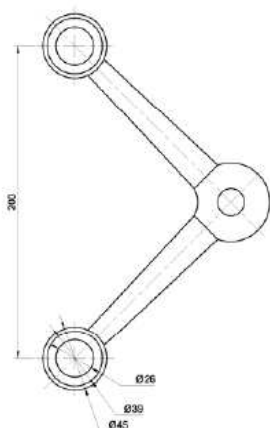
200mm c/c



200SP4



200SP3



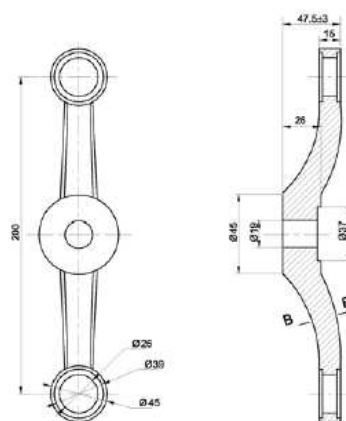
200SP2-90



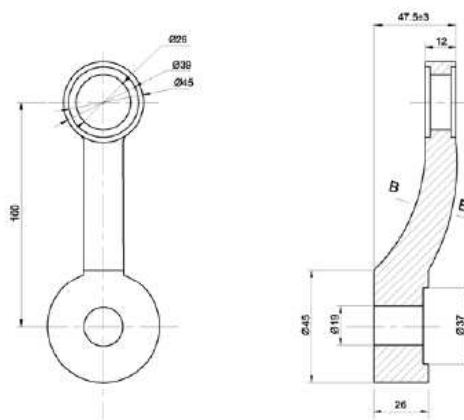
ARC DESIGN

200mm c/c

200SP2-180

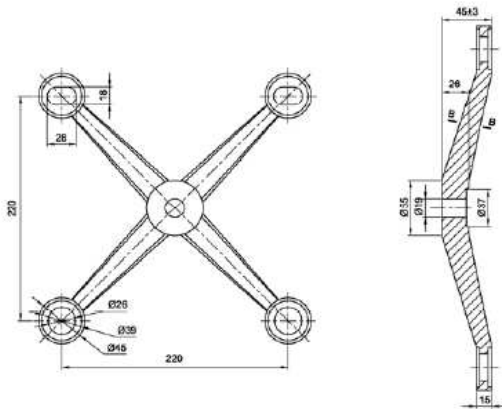


200SP1

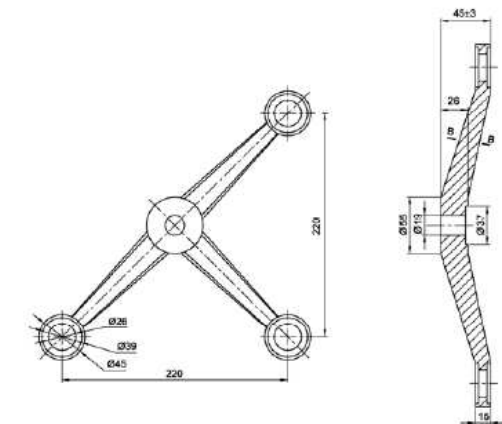


STAGE DESIGN

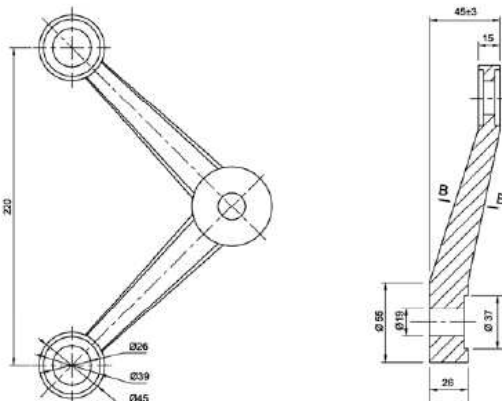
220mm c/c



220SP4



220SP3



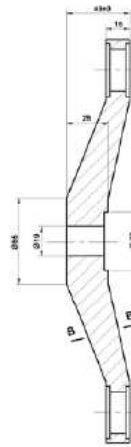
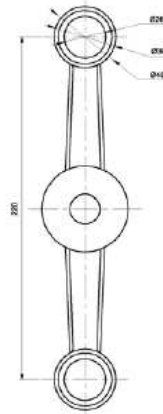
220SP2-90



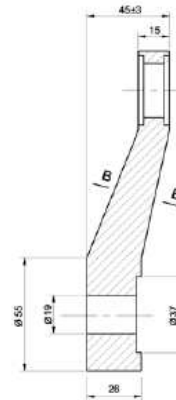
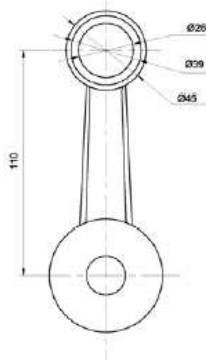
STAGE DESIGN

220mm c/c

220SP2-180



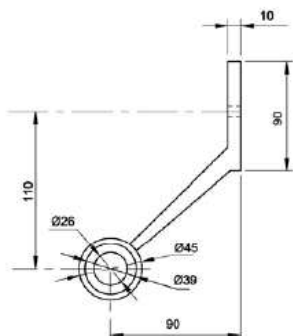
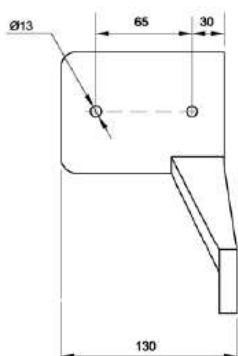
220SP1



STAGE DESIGN

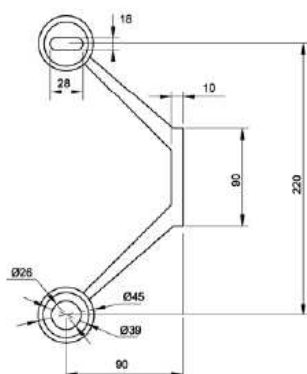
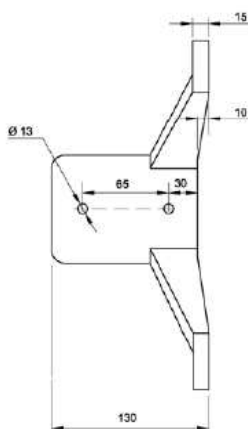
220SP1-WM

OPTIONS : 220SP1-WM (LH)
220SP1-WM (RH)



220SP2-WM

220mm c/c



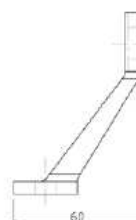
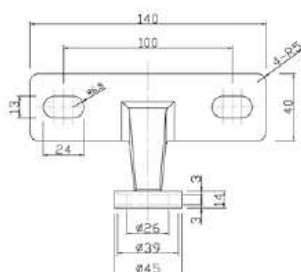
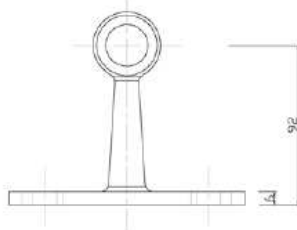
200SP2-FT



FIN SPIDERF

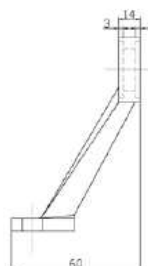
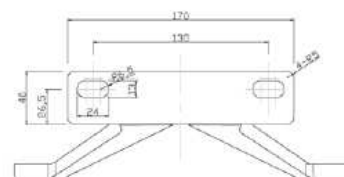
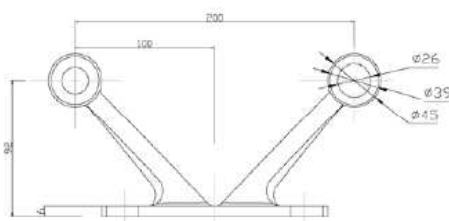
INCLUDES BOLTS & NUTS

NOTE: USE SP-AR04 FLATHEAD ARTICULATE ROUTEL



200SP4-FT

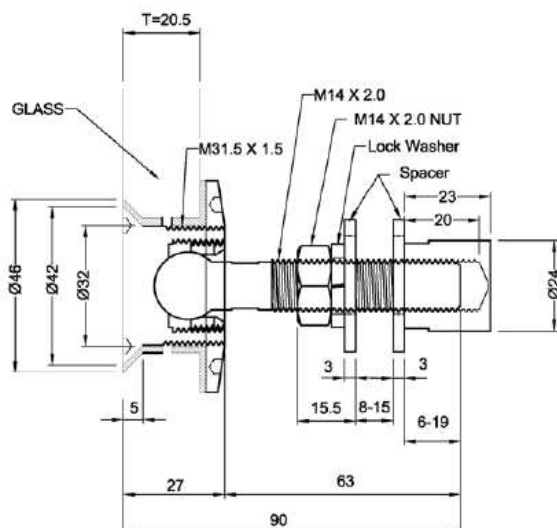
200mm c/c



ARTICULATE ROUTEL

SP-AR01

COUNTERSUNK ARTICULATE ROUTEL
GLASS THICKNESS: $\leq 17.52\text{MM}$

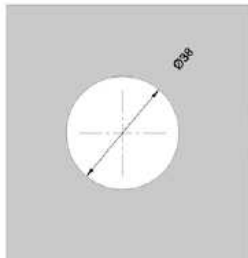


SP-AR01F

FRONT FIX COUNTERSUNK ARTICULATE ROUTEL

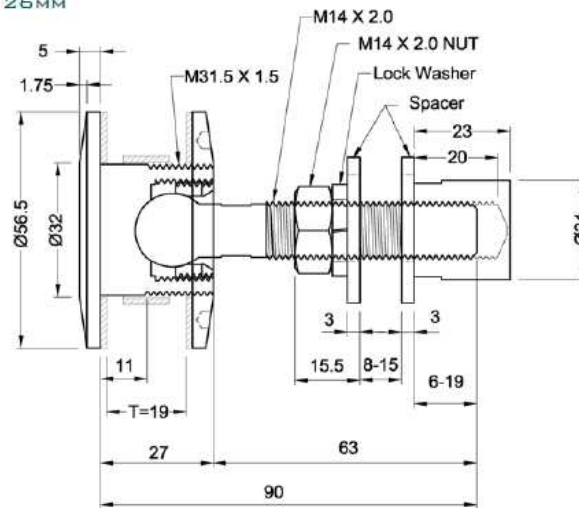
SP-AR02

FLATHEAD ARTICULATE ROUTEL
GLASS THICKNESS: $\leq 17.52\text{MM} / 26\text{MM}$



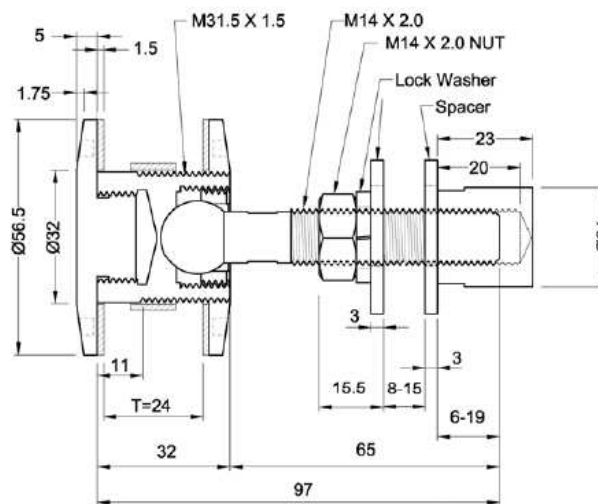
GLASS PREPARATION - USER'S DISCRETION REQUIRED

ARTICULATE ROUTEL



SP-AR02F

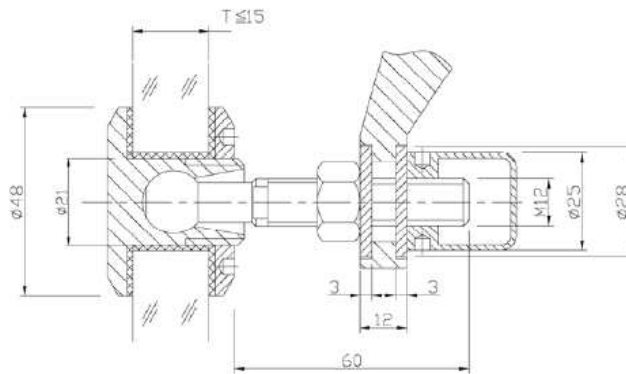
FRONT FIX FLATHEAD ARTICULATE ROUTEL



ARTICULATE ROUTEL

SP-AR04

FLATHEAD ARTICULATE ROUTEL
NOTE: FOR FIN SPIDERF ONLY



SP-Z01

SPIDERF BASE
COMPRISING 2 PARTS OF : 99316 & LOW CARBON STAINLESS STEEL

